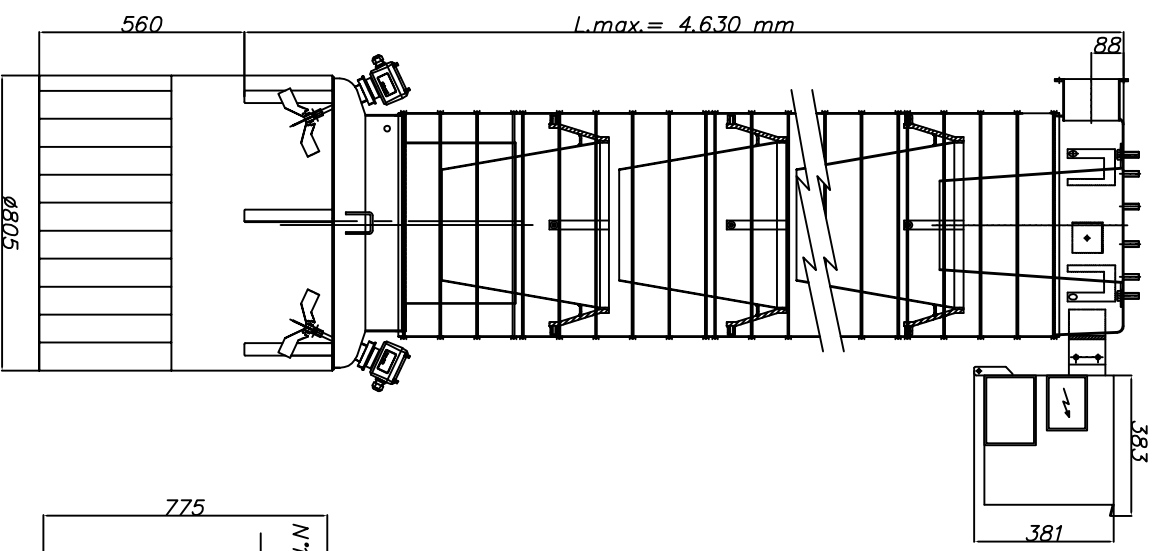
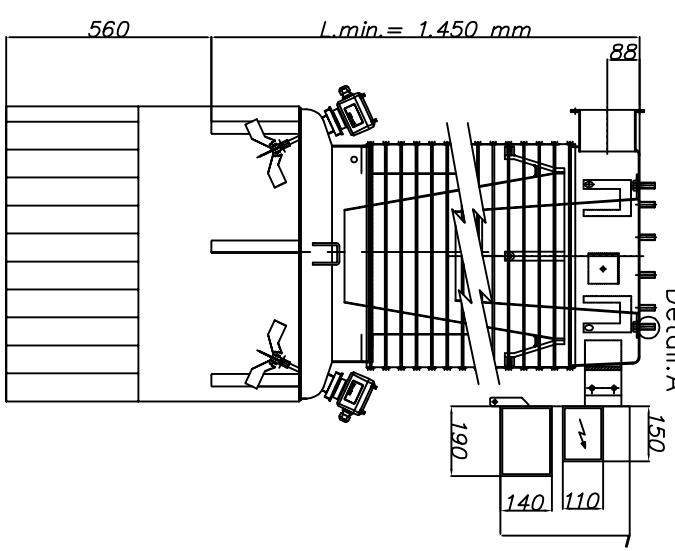


EXTENDED



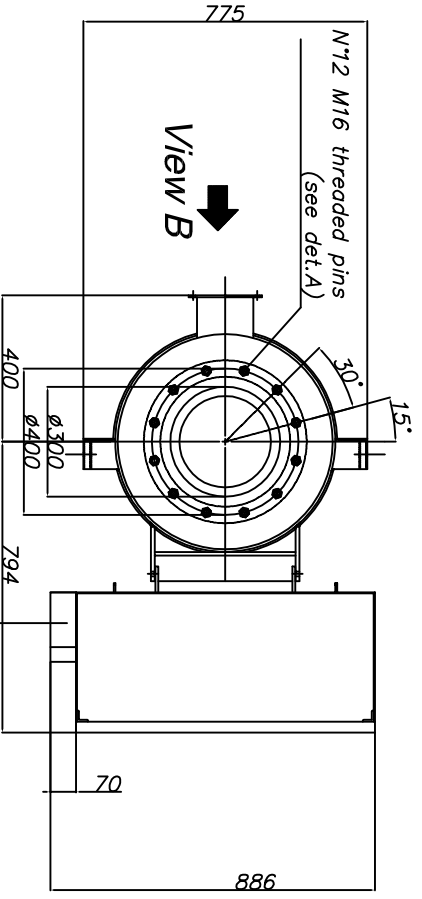
RETRACTED  
Detail.A



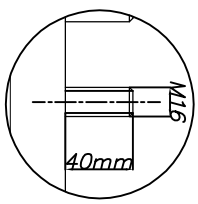
MAIN MACHINE FEATURES

OVERALL WEIGHT	(see user handbook)
EXTENDED/RETRACTED DIMENSIONS	
WINCH MOTOR POWER	0.55 Kw (4 poles)
ASCENT/DESCENT SPEED	3.6 m/min (RETRACTED)
LEVEL INDICATORS	N.2 ROTATING IND.

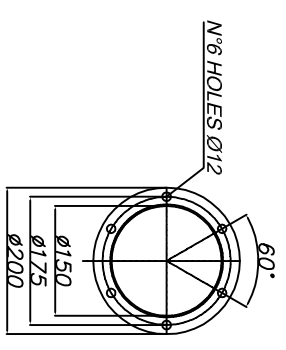
View B



Detail.A  
Scale 1:2



View B  
Scale 1:5



Power and auxiliaries junction box set

Code/Code: ZHMAB35N1K010

Scale/Scale: 1:10

Form/Type: A2

Design/Designer by: TOREX

Date/Date: 30.09.08

PERSONAL/DISPOSITION: LOADING BELLOW FOR OPEN TRUCK



Drawings provided TOREX are intended for use as a guide only. The user must refer to the user manual for detailed information. The dimensions shown in this drawing are for reference only and are not intended to be used as a basis for manufacturing.